

POOL SHELL EQUIPMENT



Concrete Pool

- 60 • Skimmers 15 I - Concrete
- 61 • Skimmers 17.5 I - Concrete
- 63 • Skimmer Accessories - Concrete
- 65 • S.S. Skimmers - Concrete
- 67 • Skimmer accessories in S.S. - Concrete
- 67 • Water level regulators - Concrete
- 68 • Main drains - Concrete
- 71 • Main drain accessories - Concrete
- 72 • Drain grilles - Concrete
- 74 • ABS inlets - Concrete
- 77 • S.S. inlets - Concrete
- 79 • Wall conduits - Concrete
- 80 • Winter accessories

Liner and prefabricated pools

- 81 • Skimmers 15 L - Liner and prefabricated
- 82 • Skimmers 15 L - Panelled pools
- 83 • Skimmers 17.5 L - Liner and prefabricated
- 85 • Main drains - Liner and prefabricated
- 88 • Water level regulators - Liner and prefabricated
- 88 • Main drain accessories - Liner and prefabricated
- 89 • ABS inlets - Liner and prefabricated
- 93 • S.S. inlets - Liner and prefabricated
- 94 • Wall conduits - Liner and prefabricated

CONCRETE POOL - SKIMMERS 15 L

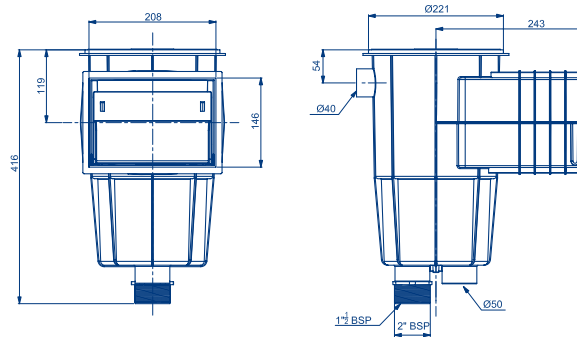
All exposed skimmer parts are UV resistant. In white ABS with silent weir flap and flow regulation plug. G 1 1/2" female - G 2" male threaded lower suction connections. Ø 50 mm solvent connection also provided. Overflow connection Ø 40 mm. Basket secured to base with bayonet fixing. **Recommended flow 5 m³/h.** We recommend installing one skimmer for every 25 m² of water surface area.

Skimmer with standard mouth opening



Round lid
Square lid

	Code	Standard Packaging	Standard Weight kg	Standard Volume m ³
Round lid	00249	1	2.95	0.059
Square lid	00250	1	3.15	0.059



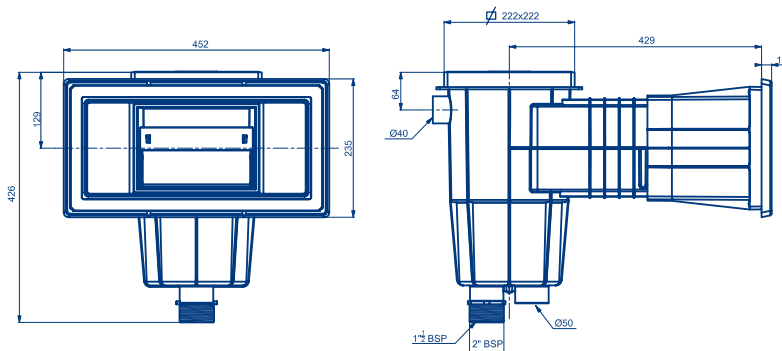
Skimmer with wide mouth opening



Round lid
Square lid

	Code	Standard Packaging	Standard Weight kg	Standard Volume m ³
Round lid	00251	1	4.47	0.12
Square lid	00252	1	3.00	0.12

Optional: Colour.

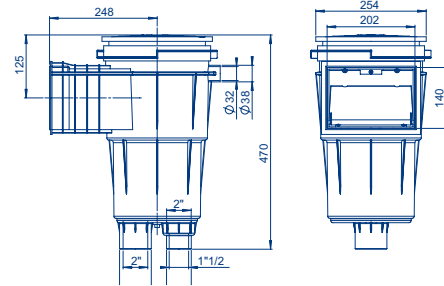


CONCRETE POOL - SKIMMERS 17.5 L

All exposed skimmer parts are UV resistant. In white ABS with silent weir flap and flow regulation plug. G 1½" female - G 2" male suction connections. Ø 50 mm solvent connection also provided. Overflow connection Ø 32 mm. Lid with clip fastening system with lid height adjustment to fit surround perfectly. Basket secured to base with bayonet fixing. Weir flap included. **Recommended flow 7.5 m³/h.** We recommend installing one skimmer for every 25 m² of water surface area.

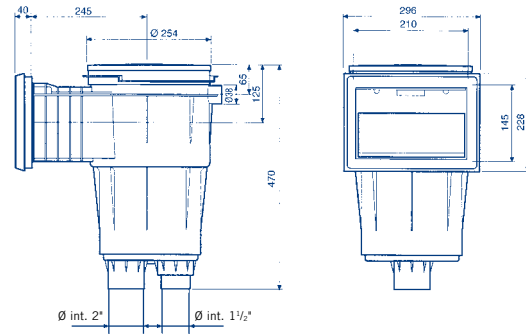
Skimmer with standard mouth opening

	Code	Standard Packaging	Standard Weight kg	Standard Volume m³
Round lid	05589	1	4.20	0.062
Square lid	11306	1	4.20	0.062



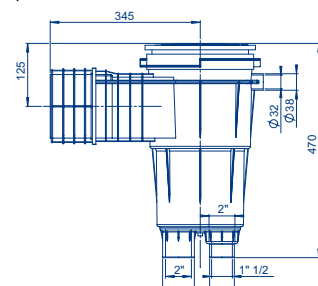
Skimmer with standard mouth opening and decorative face plate

	Code	Standard Packaging	Standard Weight kg	Standard Volume m³
Round lid	05280	1	5.10	0.062
Square lid	11302	1	5.20	0.062



Skimmer with extended throat and standard mouth opening

	Code	Standard Packaging	Standard Weight kg	Standard Volume m³
Round lid	05590	1	4.85	0.077
Square lid	11307	1	5.90	0.077



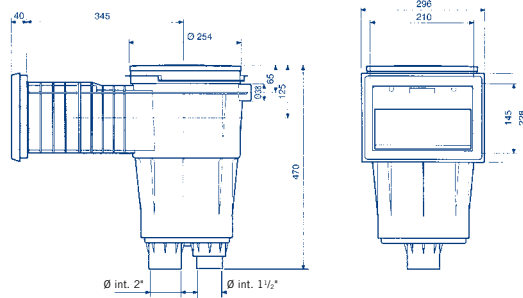
CONCRETE POOL - SKIMMERS 17.5 L

Skimmer with standard mouth opening, extended throat and face plate



Round lid
Square lid

Code	Standard Packaging	Standard Weight kg	Standard Volume m ³
05281	1	5.09	0.077
11303	1	5.75	0.060

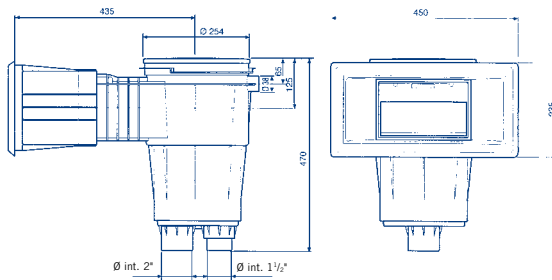


Skimmer with wide mouth opening



Round lid
Square lid

Code	Standard Packaging	Standard Weight kg	Standard Volume m ³
05282	1	6.20	0.135
11304	1	6.24	0.135

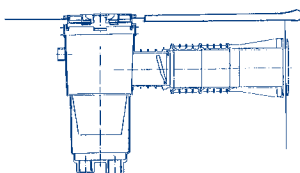
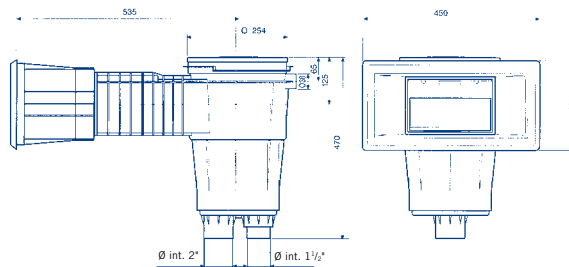


Skimmer with extended throat and wide mouth opening



Round lid
Square lid

Code	Standard Packaging	Standard Weight kg	Standard Volume m ³
05283	1	6.75	0.161
11305	1	6.90	0.161



Versions of the 17.5 litre skimmer can be supplied with throat extensions much larger than those stated above. This could be of particular interest when using wider coping stones than the usual width.

CONCRETE POOL - SKIMMER ACCESSORIES

15 lts skimmer cover extension ring

Additional spacer ring to increase distance between 15 l skimmer and lid. 25 mm lengthening distance. Made in ABS. Height can be increased by overlaying various connections. Can also be slightly tipped to level with ground.

Code	Standard Packaging	Standard Weight kg	Standard Volume m ³
19919	17	4.08	0.069



17.5 lts skimmer cover extension ring

Additional ring for better adjusting and levelling 17.5 l skimmer lid to the deck level. 20 mm lengthening distance. Made in white ABS. Height can be millimetrically gauged by overlaying various rings. Can also be slightly tipped to level with ground.

Code	Standard Packaging	Standard Weight kg	Standard Volume m ³
18153	17	4.70	0.069



15 lts skimmer lid thermometer

Lid for 15 lts. skimmer with thermometer incorporated. Made in UV stabilised ABS. Allows easy temperature reading of pool water.

Code	Standard Packaging	Standard Weight kg	Standard Volume m ³
15865	1	8.9	0.060



CONCRETE POOL - SKIMMER ACCESSORIES

Floating weir assembly in ABS



Complete with strainer basket in white ABS.

	Code	Standard Packaging	Standard Weight kg	Standard Volume m ³
For 15 l skimmers	00253	12	20.5	0.207
For 17.5 l skimmers	05703	12	20.5	0.207

Bag for skimmer strainer basket



Hygienic residue retention throw away bag placed inside the skimmer basket to protect the filter and obtain the high-est efficiency level. Suits all skimmer types with baskets till Ø 24 cm.

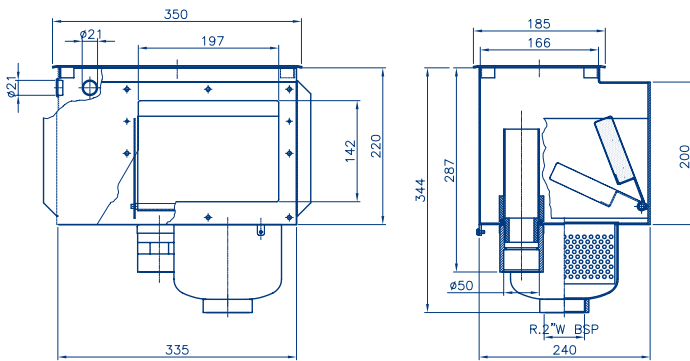
	Code	Standard Packaging	Standard Weight kg	Standard Volume m ³
12 units per box	25768	12	0.40	0.006

CONCRETE POOL - S.S. SKIMMERS

A-100 S.S. skimmer

Made of S.S. AISI-316. With Ø 50 mm overflow with S.S. lid and strainer basket, both included. Provided with space for installing water level regulating valve 00256. With earth connection. Recommended flow: 7.5 m³/h.

	Code	Standard Packaging	Standard Weight kg	Standard Volume m³
Suction connection 2"	00254	1	8.4	0.04



Decorative frame

For 00254 skimmer. Made in S.S. AISI-316.

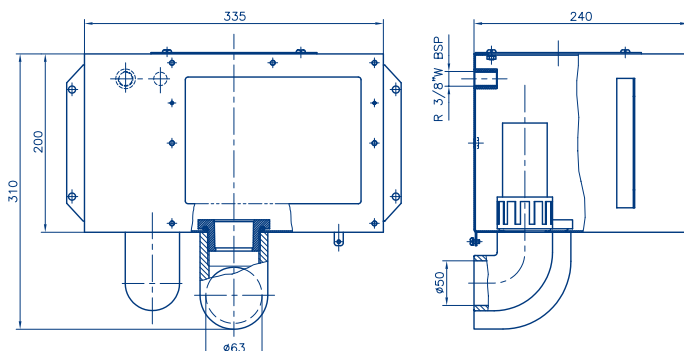
	Code	Standard Packaging	Standard Weight kg	Standard Volume m³
	00255	1	0.62	0.003



Skimmer body A-201

In S.S. AISI-316. With Ø 50 mm overflow. Skimmer housing without telescopic lid. Provided with space for fitting water level regulating valve 00256. With earth connection.

	Code	Standard Packaging	Standard Weight kg	Standard Volume m³
Suction connection Ø 63 mm	07520	1	6.51	0.04



CONCRETE POOL - S.S. SKIMMERS

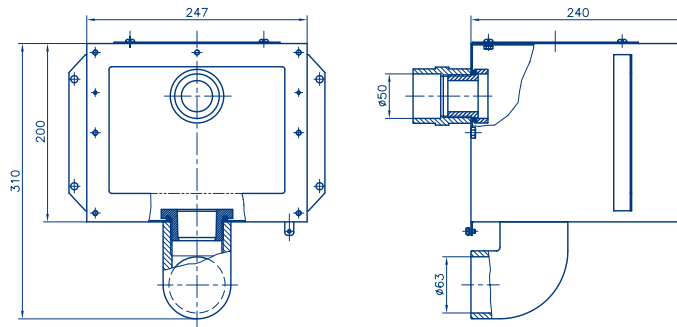
Skimmer body A-202



Made of S.S. AISI-316. With \varnothing 50 mm overflow. Skimmer housing without telescopic lid. With earth connection.

Suction connection \varnothing 63 mm

Code	Standard Packaging	Standard Weight kg	Standard Volume m ³
07610	1	5.25	0.04



Skimmer strainer basket for A-201 and A-202



Made of S.S. AISI-316. Includes face plate for direct removal through skimmer mouth.

Code	Standard Packaging	Standard Weight kg	Standard Volume m ³
07521	1	2.19	0.02

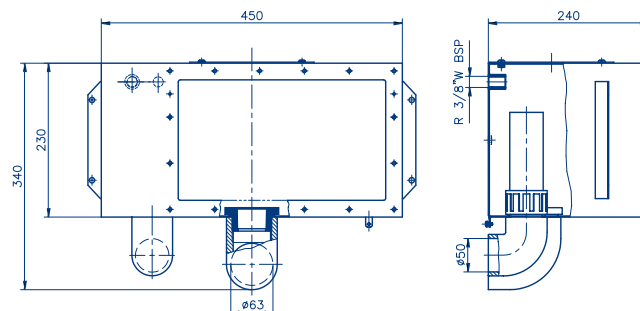
Skimmer body A-400



Made of S.S. AISI-316. With \varnothing 50 mm overflow. Skimmer housing without telescopic lid. Provided with space for fitting water level regulating valve 00256. With earth connection.

Suction connection, \varnothing 63 mm

Code	Standard Packaging	Standard Weight kg	Standard Volume m ³
07523	1	8.0	0.06



CONCRETE POOL - SKIMMERS EN S.S.

Skimmer strainer basket for A-400 skimmer

Made of S.S. AISI-316. For direct removal through skimmer throat.

Code	Standard Packaging	Standard Weight kg	Standard Volume m ³
07522	1	3.5	0.04



CONCRETE POOL - SKIMMER ACCESSORIES IN S.S.

Telescopic lid

Made of S.S. AISI-316. For skimmer models A-201, A-202 and A-400. Square lid 180 x 180 mm. Adjustable height from 60 to 110 mm.

Code	Standard Packaging	Standard Weight kg	Standard Volume m ³
07524	1	1.63	0.01



Water level regulating valve

Valve to be fitted into all S.S. skimmer models, except in model A-202. Adjustable buoy. Connection 3/8".

Code	Standard Packaging	Standard Weight kg	Standard Volume m ³
00256	1	0.21	0.002



CONCRETE POOL - WATER LEVEL REGULATORS

Water level regulator

Made in ABS. Installed by lateral or inferior connection, as required. Knockout outlets. Hight and level adjustable cover. Compatible with any type of skimmer.

Code	Standard Packaging	Standard Weight kg	Standard Volume m ³
15862	1	2.0	0.016



CONCRETE POOL - MAIN DRAINS

All main drains made in plastic are provided with UV protected grilles.
 · According to EN 13451-1 Standard, public pools require:
 - Water velocity 0.5 m/sec
 - Maximum suction velocity in pipe 1.5 m/sec
 - Minimum distance between drains: >2 m

Circular main drain Ø 270 mm with grille in ABS



Made totally in white ABS, 1½" bottom connection and 2" side connections which can be plugged from the inside for pressure testing. 1½" bottom connection with plug or for fitting the hydrostatic relief valve (00277) & drainage tube (21581). Grille cover diameter Ø 250 mm. Maximum flow rate: 13 m³/h.

Code	Standard Packaging	Standard Weight kg	Standard Volume m³
01466	4	5.0	0.045

Circular main drain, 2" outlet



Body and grille in white ABS. Grille fixed with screws. Maximum flow: 13 m³/h.

Code	Standard Packaging	Standard Weight kg	Standard Volume m³
01467	4	2.8	0.028

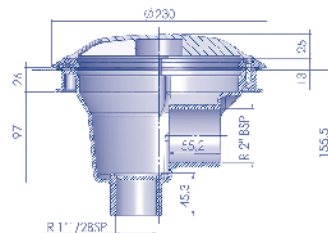
Optional colour

Circular main drain Ø 200 mm with antivortex grille

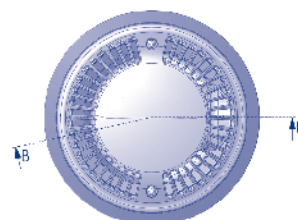


Made in ABS. Side connection 2" and bottom connection 1½" with knockout sockets. Drainage pipe (21581) can be fitted. Maximum flow: 13 m³/h.

Code	Standard Packaging	Standard Weight kg	Standard Volume m³
27837	1	2.807	0.028



B-B Section



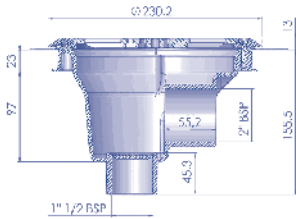
Plan view

CONCRETE POOL - MAIN DRAINS

Circular main drain Ø 200 mm with flat grille

Made in white ABS. Side connection 2" and bottom connection 1½" with knockout sockets. With bottom knockout sockets closed which allow to open the appropriate one when ever necessary.
Maximum flow: 13 m³/h.

Code	Standard Packaging	Standard Weight kg	Standard Volume m³
27839	1	2.651	0.028



B-B Section



Plan view

Square main drain with ABS grille 210 mm x 210 mm

Side connection 2". Body and grille in white ABS. Grille fixed with screws. Maximum flow: 13 m³/h.

Code	Standard Packaging	Standard Weight kg	Standard Volume m³
00258	4	4.0	0.044



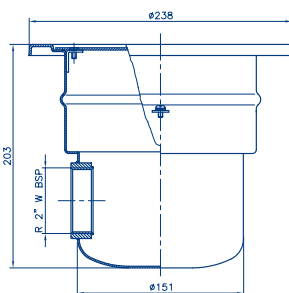
Circular S.S. main drain, 2" outlet

Side connection 2". In S.S. AISI-316. Grille fixed with screws. Maximum flow: 13 m³/h.

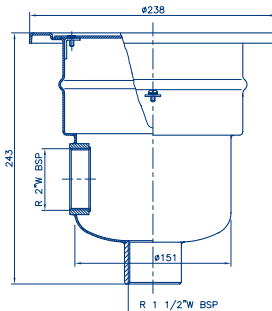
Code	Standard Packaging	Standard Weight kg	Standard Volume m³
00268	1	2.56	0.02
26196	1	2.80	0.02

Side connection 2"

Side connection 2" and bottom connection 1½"



00268



26196



CONCRETE POOL - MAIN DRAINS



Main drain with square lid in S.S., 2" outlet



Side connection 2". Made in S.S. AISI-316. Antivortex lid. Can be used with liner and prefabricated pools with liner adaptor kit 00276. Maximum recommended flow: 6 m³/h.

Code	Standard Packaging	Standard Weight kg	Standard Volume m ³
00269	1	1.14	0.01



Main drain in polyester and fibreglass - 330 mm x 330 mm



Gel-coat finish. With optional hydrostatic valve.

Code	Standard Packaging	Standard Weight kg	Standard Volume m ³
------	--------------------	--------------------	--------------------------------

Grille in S.S. AISI-316. Slots < 8 mm

Solvent socket outlet connection	Grille	Flow	Code	Standard Packaging	Standard Weight kg	Standard Volume m ³
Ø 75 mm	AISI-316	16 m ³ /h	20282	1	5	0.047
Ø 90 mm	AISI-316	22 m ³ /h	20283	1	5	0.047
Ø 110 mm	AISI-316	33 m ³ /h	20284	1	5	0.047

ABS grille UV protected

Solvent socket outlet connection	Grille	Flow	Code	Standard Packaging	Standard Weight kg	Standard Volume m ³
Ø 75 mm	Plastic	16 m ³ /h	22359	1	4.5	0.034
Ø 90 mm	Plastic	22 m ³ /h	22360	1	4.5	0.034
Ø 110 mm	Plastic	33 m ³ /h	22361	1	4.5	0.034
Ø 125 mm	Plastic	43 m ³ /h	22362	1	4.5	0.034



Max. recommended flow according to EN 13451-1 Standard.



Main drain in polyester and fibreglass - 515 mm x 515 mm



Gel coat finish. With optional hydrostatic valve.

Code	Standard Packaging	Standard Weight kg	Standard Volume m ³
------	--------------------	--------------------	--------------------------------

Grille in S.S. AISI-316. Slots < 8 mm

Solvent socket outlet connection	Grille	Flow	Code	Standard Packaging	Standard Weight kg	Standard Volume m ³
Ø 110 mm	AISI-316	33 m ³ /h	20285	1	11.5	0.132
Ø 125 mm	AISI-316	43 m ³ /h	20286	1	11.5	0.132
Ø 140 mm	AISI-316	54 m ³ /h	20287	1	11.5	0.132
Ø 160 mm	AISI-316	70 m ³ /h	20288	1	11.5	0.132
Ø 200 mm	AISI-316	100 m ³ /h	20289	1	11.5	0.132

ABS grille UV protected

Solvent socket outlet connection	Grille	Flow	Code	Standard Packaging	Standard Weight kg	Standard Volume m ³
Ø 110 mm	Plastic	33 m ³ /h	28709	1	11.5	0.132
Ø 125 mm	Plastic	43 m ³ /h	28710	1	11.5	0.132
Ø 140 mm	Plastic	54 m ³ /h	28711	1	11.5	0.132
Ø 160 mm	Plastic	70 m ³ /h	28712	1	11.5	0.132
Ø 200 mm	Plastic	100 m ³ /h	28713	1	11.5	0.132



Max. recommended flow according to EN 13451-1 Standard.

CONCRETE POOL - MAIN DRAINS



Combined anti-suction and antivortex lid

Combination of main drain (plastic grille) & antivortex lid 28556.

	Code	Standard Packaging	Standard Weight kg	Standard Volume m ³
Main drain 330 mm x 330 mm				
Combined anti-suction Ø 75 mm	28666	1	-	-
Combined anti-suction Ø 90 mm	28706	1	-	-
Combined anti-suction Ø 110 mm	28707	1	-	-
Combined anti-suction Ø 125 mm	28708	1	-	-
Main drain 515 mm x 515 mm				
Combined anti-suction Ø 110 mm	28665	1	-	-
Combined anti-suction Ø 160 mm	28704	1	-	-



CONCRETE POOL - MAIN DRAIN ACCESSORIES



Hydrostatic valve

To alleviate pressure that underground water can build up under the pool shell, it is recommended that a hydrostatic valve & drainage tube are fitted to a main drain.

Hydrostatic valve: To thread into the bottom of main drain with 2" outlet. Made of white ABS with screw and spring in S.S. Male thread 1 1/2".

Code	Standard Packaging	Standard Weight kg	Standard Volume m ³
00277	4	1.0	0.003



Drainage tube

For hydrostatic valve. 1 1/2" BSP threading for 01466, 27837 and 27839 main drains. In UV resistant ABS.

Code	Standard Packaging	Standard Weight kg	Standard Volume m ³
21581	24	3.54	0.021



CONCRETE POOL - MAIN DRAIN ACCESSORIES



Flush antivortex lid

New flush design to allow unobstructed passage of cleaners. Complies with EN 13451-1: 2000 Standard. 415 x 415 mm lid suitable with the following drains:

With S.S. grille:

- 20282
- 20283
- 20284

With plastic grille:

- 22359
- 22360
- 22361
- 22362

570 x 570 mm lid suitable with the following drains:

With S.S. grille:

- 20285
- 20286
- 20287
- 20288

With plastic grille:

- 28709
- 28710
- 28711
- 28712



415 mm x 415 mm. Height: 70 mm

570 mm x 570 mm. Height: 60 mm

Code	Standard Packaging	Standard Weight kg	Standard Volume m ³
25344	1	2.25	0.012
28556	1	4.00	0.032

CONCRETE POOL - DRAIN GRILLES



Drain grille of Ø 200 mm

Ring support and grille in white ABS. Supplied with grille fixing screws.

Code	Standard Packaging	Standard Weight kg	Standard Volume m ³
00280	10	3.0	0.031



Drain grille in S.S. of Ø 200 mm

Support ring in white plastic, grille in S.S. AISI-316. Supplied with grille fixing screws. Recommended max. flow: 13 m³/h.

Code	Standard Packaging	Standard Weight kg	Standard Volume m ³
00279	10	6.0	0.02



Drain grille in S.S. of Ø 300 mm

Support ring in Aluminium, grille in S.S. AISI-316. Supplied with grille fixing screws. Recommended max. flow: 27 m³/h.

Code	Standard Packaging	Standard Weight kg	Standard Volume m ³
00282	4	5.8	0.02



CONCRETE POOL - DRAIN GRILLES



Drain grilles

Stainless steel frame. Stainless steel grille. Supplied with grille fixing screws. Other dimensions can be supplied on order.

AISI-304

200 mm x 200 mm Max. recommended flow 15 m³/h (0.5 m/s)

300 mm x 300 mm Max. recommended flow 43 m³/h (0.5 m/s)

400 mm x 400 mm Max. recommended flow 83 m³/h (0.5 m/s)

500 mm x 500 mm Max. recommended flow 136 m³/h (0.5 m/s)

Code	Standard Packaging	Standard Weight kg	Standard Volume m ³
00284	1	1.2	0.01
00285	1	2.2	0.01
00286	1	4.0	0.03
00287	1	4.5	0.04

AISI-316

200 x 200 mm

300 x 300 mm

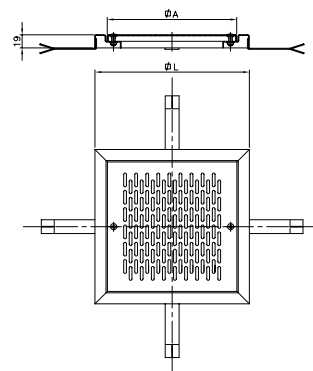
400 x 400 mm

500 x 500 mm

30764	1	1.2	0.01
30765	1	2.2	0.01
30766	1	4.0	0.03
30767	1	4.5	0.04

CODE	L	A
00284	223	187
00285	323	287
00286	423	387
00287	523	487

CODE	L	A
30764	223	187
30765	323	287
30766	423	387
30767	523	487



Drain grilles range

Manufactured in compliance with EN 13451-1:2000 standard. Available in stainless steel and plastic. Frames are made in polyester and fibreglass with a gel-coat finish. Possibility of mounting antivortex lids (codes 25344 and 28556).

Main drain grille in stainless steel

490 mm x 490 mm

Main drain grille in plastic

490 mm x 490 mm

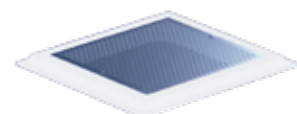
Main drain grille in stainless steel

345 mm x 345 mm

Main drain grille in plastic

345 mm x 345 mm

Code	Standard Packaging	Standard Weight kg	Standard Volume m ³
28560	1	5.0	0.029
28561	1	4.7	0.029
28562	1	3.0	0.029
28563	1	2.9	0.029



Drain grilles for residential pool

New range of Drain grilles for use in residential and commercial swimming pool applications. Available in plastic or stainless steel. Frames made in plastic. Grilles designed according to standard EN-13451-1:200. Excellent finish.

	Code	Standard Packaging	Standard Weight kg	Standard Volume m ³
Drain grille 252 x 252 mm in plastic	34331	1	-	0.0129
Drain grille 252 x 252 mm in S.S.	34332	1	-	0.0129
Drain grille 410 x 410 mm in plastic	34333	1	-	0.0540
Drain grille 410 x 410 mm in S.S.	34334	1	-	0.0540



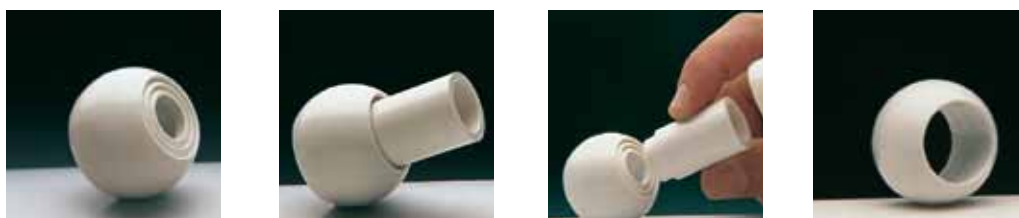
CONCRETE POOL - ABS INLETS

MULTIFLOW SYSTEM

The eyeball has been marked with a series of "knock-out" sockets of 14, 20, and 25 mm, enabling the desired flow to be selected at the time of installation.

Recommended max flow velocity 4 m/sec, complies with EN 13451-1: Standard

Flow rates: Ø 14 mm = 2.2 m³/h, Ø 20 mm = 4.5 m³/h, Ø 25 mm = 7 m³/h



Return inlet "Multiflow" to glue

To glue into Ø 50mm 10 bar pipe. Made in white ABS.

Code	Standard Packaging	Standard Weight kg	Standard Volume m ³
24413	40	4.0	0.020

Optional colour



Return inlet "Multiflow" to glue

Made of ABS in white colour. For glueing inside diam 50 mm PN10 pipes.

Code	Standard Packaging	Standard Weight kg	Standard Volume m ³
33501	50	2.9	0.020



Return inlet "Multiflow" (threaded)

2" male thread, inner Ø 50 mm for glueing. Made in white ABS. Can be installed with wall conduits: 15658-15659.

Code	Standard Packaging	Standard Weight kg	Standard Volume m ³
00295	24	4.35	0.020



Inlet suction nozzle for large flows

Inlet nozzles for large flows and they can be also be used as suction nozzle. Inlet flow rate 30m³/h for a maximum water flow velocity of 4m/s according to EN 13451-1 standard. Suction flow rate 5m³/h for a maximum water flow velocity of 0.5m/s according to EN 13451-1 standard. PVC body, ABS grille, PA flange and AISI 304 screws, holes in grilles are not bigger than 8mm according to EN 13451-1 standard. Ø75 or Ø90 pipe connection. The nozzle can be installed into the wall conduit 43590. 3 models available for concrete pools and panel pools.

Code	Standard Packaging	Standard Weight kg	Standard Volume m ³
41520	16	4.20	0.021

Inlet/suction nozzle for large flows and concrete pools



CONCRETE POOL - ABS INLETS



Return inlet "Multiflow" to glue

To glue onto Ø 63 mm, outside 6 bar pipe and inside Ø 50 mm. Made in white ABS. Can be installed with wall conduits: 15661-15660.

Code	Standard Packaging	Standard Weight kg	Standard Volume m ³
00298	24	4.24	0.020



Return inlet

In white ABS UV resistant. 3 adjustable positions. (100%, 65%, & 35%). Max. flow rate: 13.5 m³/h complies with EN 13451-1 Standard. Connection: Ø 63 mm to glue on the outside.

Code	Standard Packaging	Standard Weight kg	Standard Volume m ³
15863	24	3.4	0.020



Concrete floor inlet

Return / Suction. Adjustable flow. Made in white ABS, screw in S.S. Max. flow rate: 12 m³/h complies with EN 13451-1 Standard.

	Code	Standard Packaging	Standard Weight kg	Standard Volume m ³
2" male thread, inner Ø 50 mm to glue	00303	24	5.0	0.020
To glue onto Ø 63 mm PN 6, inner Ø 50 mm	20140	20	4.4	0.021



Adjustable 3" Concrete floor inlet

Made in white ABS. Adjustable flow by rotating the grille. Suction surface area: 0.015 m². Outer Ø 295 mm. Flow rate: 20 m³/h. (0.4 m/s.) Max. recommended flow rate: 26 m³/h. (0.5 m/s.) according to EN-13451-1 Standard.

	Code	Standard Packaging	Standard Weight kg	Standard Volume m ³
Grille in S.S. AISI-304	08317	2	2.65	0.047
Grille in white ABS	11796	2	2.65	0.047



CONCRETE POOL - ABS INLETS

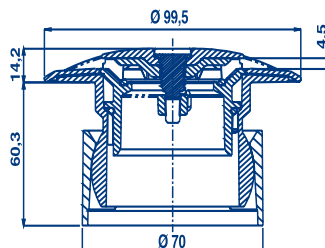
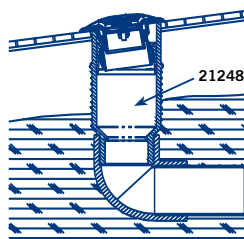


Adjustable floor inlets with swivel joint

Swivel body in PVC. Lid in ABS. Regulating screw in POM. Max. flow rate: 9,5 m³/h. To be fixed on Ø 75 mm pipe and wall conduit 21248.



Code	Standard Packaging	Standard Weight kg	Standard Volume m ³
22353	24	4.1	0.022



Wall conduit

Wall conduit appropriate to glue the swivel joint floor inlet code 22353. 50 mm inside and 63 mm outside diam^{***}



Code	Standard Packaging	Standard Weight kg	Standard Volume m ³
21248	12	7.3	0.032



Concrete suction nozzle

To glue to Ø 63 mm 6 bar pipe and Ø 50 mm solvent internal. Made in white ABS. Plug thread 1 1/2". Recommended to be installed with wall conduits 15661 & 15660.



Code	Standard Packaging	Standard Weight kg	Standard Volume m ³
00300	24	3.62	0.020



Concrete suction nozzle

2" male thread, Ø 50 mm solvent internal. Maxim pressure: 6 bar. Made in white ABS. Plug thread 1 1/2". Recommended to be installed with wall conduits 15658 & 15659.



Code	Standard Packaging	Standard Weight kg	Standard Volume m ³
00301	24	3.8	0.020

Concrete suction nozzle

To glue to Ø 50 mm 10 bar pipe. Made in white ABS . Plug thread 1 1/2". End connection 07958 and push fit connection 01393. Recommended to be installed with wall conduits 15658 & 15659.



Code	Standard Packaging	Standard Weight kg	Standard Volume m ³
24415	60	3.72	0.02

Optional Colour

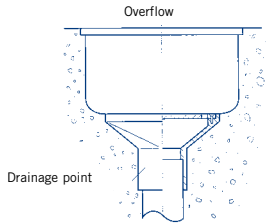
CONCRETE POOL - ABS INLETS



Overflow channel drainage point

Body and grille in ABS. Screws in S.S. To be glued to Ø 63 mm pipe. Particularly suitable for overflow gutters and to be used as a lateral suction point for pools using the Net'n'Clean infloor cleaning system. Max. recommended flow rate: 7 m³/h.

Code	Standard Packaging	Standard Weight kg	Standard Volume m ³
00302	12	3.1	0.016



Suction nozzle for overflow pools with liner

PVC body, PA flange and Stainless Steel screws. Suction flow rate 7m³/h for a maximum water flow velocity of 0.5m/s according to EN 13451-1 standard. Ø75 or Ø90 pipe connection. Double gasket.

Code	Standard Packaging	Standard Weight kg	Standard Volume m ³
41519	12	4.83	0.021



Hydromassage kit

Consists of a return inlet and wall conduit fitted with an air inlet and a venturi jet. Two wall conduit lengths. Ø 50 mm water connection pipe and Ø 20 mm air suction pipe.

Code	Standard Packaging	Standard Weight kg	Standard Volume m ³
32113	12	3.5	0.021
32370	12	3.6	0.021
31443	12	3.5	0.021
32371	8	3.5	0.021



Hydromassage kit for concrete pools:

Length of wall conduit 195 mm **32113** 12 3.5 0.021
 Length of wall conduit 280 mm **32370** 12 3.6 0.021

Hydromassage kit for concrete pools with liner:

Length of wall conduit 190 mm **31443** 12 3.5 0.021
 Length of wall conduit 275 mm **32371** 8 3.5 0.021

CONCRETE POOL - S.S. INLETS

Return inlet

Male thread 1½". Made in S.S. AISI-316. Recommended max. flow 4.5 m³/h. Complies with EN 13451-3 Standard. Ball Ø 20 mm.

Code	Standard Packaging	Standard Weight kg	Standard Volume m ³
Length 35 mm 32994	1	0.3	0.001
Length 50 mm 16325	1	0.3	0.001
Length 70 mm 16326	1	0.5	0.001



CONCRETE POOL - S.S. INLETS



Adjustable pool floor return inlet



Male thread 2". Made in S.S. AISI-316. For both concrete and prefabricated pools. Water flow can be adjusted by the central screw. Recommended max. flow 14 m³/h. Complies with EN 13451-3 Standard.

Code	Standard Packaging	Standard Weight kg	Standard Volume m ³
15839	1	0.9	0.002



Suction point

Male thread 1 1/2". Made in S.S. AISI-316. Requires the fitting 05684.



Code	Standard Packaging	Standard Weight kg	Standard Volume m ³
16328	1	0.2	0.001
21644	1	0.3	0.001



Adjustable concrete return inlet

Chromed brass, body grille in S.S. AISI-304.



Code	Standard Packaging	Standard Weight kg	Standard Volume m ³
00312	12	7.0	0.013
00313	6	10.0	0.014



Suction point with sliding cover

Chromed brass body with S.S. AISI-304 lid. Push fit. 2" female thread (01392 coupling is required for hose).



Code	Standard Packaging	Standard Weight kg	Standard Volume m ³
00315	12	8.0	0.008



Suction point with threaded cover

Chromed brass. Female thread 2". (01395 coupling is required for hose).



Code	Standard Packaging	Standard Weight kg	Standard Volume m ³
00317	12	10.0	0.012

CONCRETE POOL - WALL CONDUITS

Range of 300 mm long conduits for Ø 2" inlets and "Multiflow" models, that can easily be cut to required lengths depending on the pool wall thickness. Made in ABS. The flanged rib has 2 holes for positioning within the pool shell.

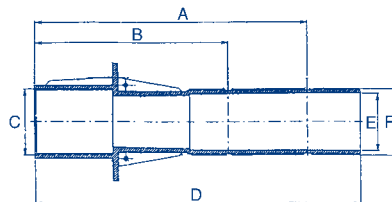
Rear 2" male thread and inside Ø 50 mm solvent socket

	Code	Standard Packaging	Standard Weight kg	Standard Volume m ³
2" front female thread for 2" male thread return	15658	15	4.3	0.040
Ø 59.3 mm solvent internal for returns suitable for gluing in to Ø 63 mm 6 bar pipe & light "MINI" 33684	15661	15	4.2	0.040



Rear Ø 63 mm solvent weld and inside Ø 50 mm solvent weld

	Code	Standard Packaging	Standard Weight kg	Standard Volume m ³
2" front female thread for 2" male thread return	15659	15	4.2	0.040
Front Ø 59.3 mm inner diameter for gluing to Ø 63 mm. 6 bar pipe & light "MINI" 33684	15660	15	5.6	0.040



Dimensions	Models			
	15658	15661	15659	15660
A	250	250	250	250
B	175	175	175	175
C	2"	Ø59.3	2"	Ø59.3
D	300	300	300	300
E	Ø50	Ø50	Ø50	Ø50
F	2"	2"	Ø63	Ø63

PVC wall conduit

PVC grey colour.

	Code	Standard Packaging	Standard Weight kg	Standard Volume m ³
150 mm length: 2" Male thread + inside Ø 50 mm. Female thread 2"	00322	12	3.0	0.011
300 mm length: 2" female & male connection	00323	6	3.0	0.011
2" Rear male thread pipe connection, inside Ø 50 mm, solvent weld for 33684 light	00324	6	3.0	0.011
2" Male thread + inside Ø 50 mm. Female thread 1½"	00325	6	3.0	0.011
2" Male thread + inside Ø 50 mm. Ø 50 mm special for 00289, 07957, 00304, 00305 and 00306 returns	00326	6	3.0	0.011



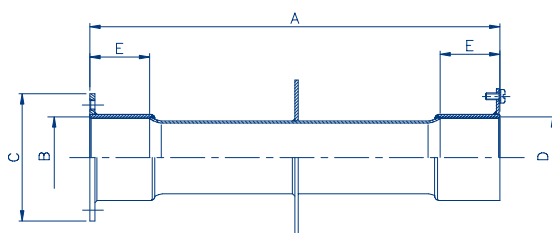
CONCRETE POOL - WALL CONDUITS

Stainless steel wall conduits



Made of S.S. AISI-304. Both ends with male thread of 1½". Earth connection.

	Code	Standard Packaging	Standard Weight kg	Standard Volume m ³
Length 240 mm	00327	1	0.7	0.003
Length 340 mm	00328	1	0.8	0.005



Dimensions	Models	
	00327	00328
A	240	340
B	1½"	1½"
C	74	74
D	1½"	1½"
E	35	35

CONCRETE POOL - WINTER ACCESSORIES

Winter plugs



To cover returns and prevents from possible frosts.

	Code	Standard Packaging	Standard Weight kg	Standard Volume m ³
For 1½" nozzles	06211	-	-	-
For 2" nozzles	06212	-	-	-

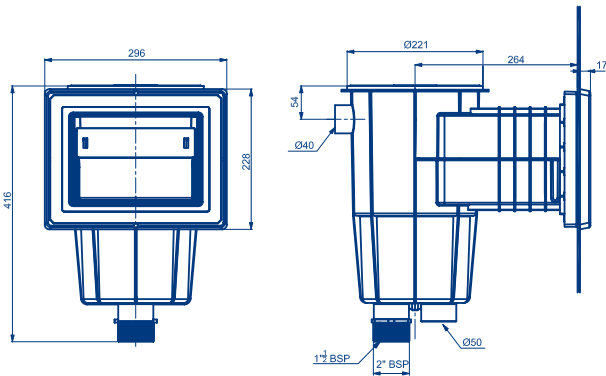
LINER AND PREFABRICATED POOL - SKIMMERS 15 L

All skimmer parts exposed are UV resistant. In white ABS with silent weir flap and flow regulation plug. G 1 1/2" female, G 2" male threaded lower connections. Ø 50 mm. drainage connection also provided. Overflow connection Ø 40 mm. **Recommended flow rate: 5 m³/h.** Advisable 1 skimmer for every 25 m² of pool water surface. Skimmers are available in two different models, the model with inserts and the PARKER model, supplied with self-tapping screws.

Skimmer with standard mouth

Supplied with adhesive gaskets, flanges, and screw kit.

	Code	Standard Packaging	Standard Weight kg	Standard Volume m³
Round lid fixed by pressure	01461	1	4.0	0.059
Square lid fixed by pressure	01462	1	4.2	0.059



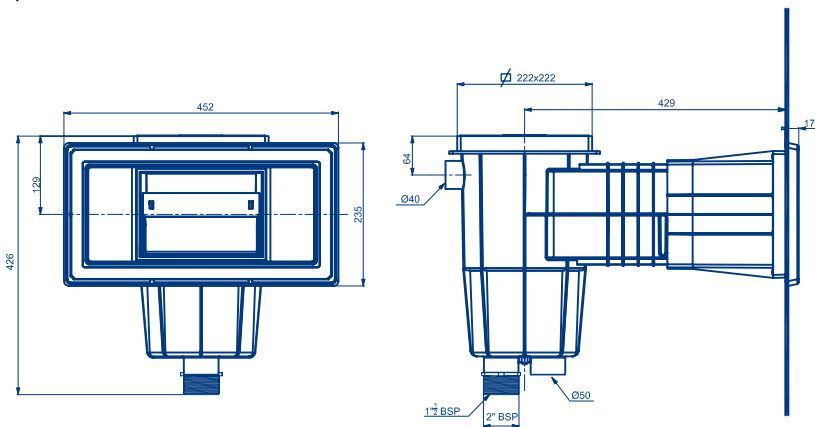
Skimmer with wide mouth

Supplied with adhesive gaskets, flanges and screw kit.

Round lid fixed by pressure
Square lid fixed by pressure

Code	Standard Packaging	Standard Weight kg	Standard Volume m³
------	--------------------	--------------------	--------------------

Optional colour



PANELLED POOL - SKIMMERS 15 L



new

Double joint kit for skimmer

Kits comprising a double joint and the screws necessary for the installation of skimmers in steel panel pools. This prevents both the pool water and damp from the ground from coming into contact with the moulded area and protects the panels from possible corrosion. It allows versions with inserts or self-tapping screws to be installed.

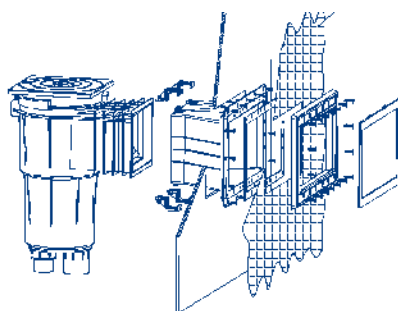
	Code	Standard Packaging	Standard Weight kg	Standard Volume m ³
For wide mouth, insert	14516-0500	40	-	0.070
For wide mouth, self-tapping screws	14516-0600	40	-	0.070
For standard mouth, inserts	27124-0500	80	-	0.035
For standard mouth, self-tapping screws	27124-0600	80	-	0.035



Skimmer Panel Protect, inside assembly

Supplied with adhesive gaskets and flanges. Special skimmers for panelled pools. The wide throat assembly is fixed on the inside of the panel. Each skimmer box includes the necessary glue.

	Code	Standard Packaging	Standard Weight kg	Standard Volume m ³
Skimmer Panel Protect 15 l wide mouth, round lid	32372	1	4.47	0.116
Skimmer Panel Protect 15 l wide mouth, square lid	30866	1	5.13	0.116
Adhesive for ABS	30884	1	0.20	0.001



Liner adaptor kit for S.S. skimmer

For liner, prefabricated and panelled pools. Includes: 2 adhesive gaskets, faceplate in S.S. AISI-316 and fixing screws.

	Code	Standard Packaging	Standard Weight kg	Standard Volume m ³
For skimmer A-100, A-201 and A-202 (00254, 07520 and 07610)	07525	1	0.78	0.002
For A-400 (Code 07523)	07526	1	1.13	0.01

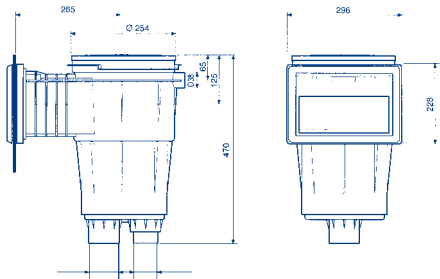
LINER AND PREFABRICATED POOL - SKIMMERS 17.5 L

All skimmer parts exposed are UV resistant. In white ABS with silent weir flap and flow regulation plug. G 1½" female, G 2" male lower suction connections. Ø 50 mm drainage connection also provided. Overflow connection Ø 40 mm. Secured to base with bayonet fixing system. **Recommended flow rate: 7,5 m³/h.** Advisable 1 skimmer for every 25 m² of pool water surface. Skimmers are available in two different models, the model with inserts and the PARKER model, supplied with self-tapping screws.

Skimmer with standard mouth

Supplied with adhesive gaskets, flanges, and screw kit.

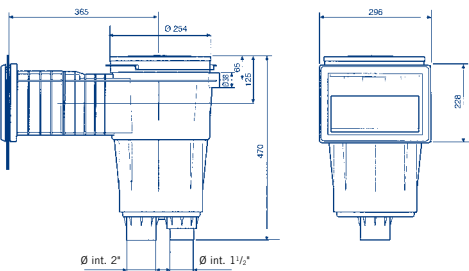
	Code	Standard Packaging	Standard Weight kg	Standard Volume m³
Round lid	05284	1	5.30	0.062
Square lid	11309	1	5.30	0.062
Square lid, PARKER model	11315	1	5.30	0.062



Skimmer with standard mouth and extended throat

Supplied with adhesive gaskets, flanges, and screw kit.

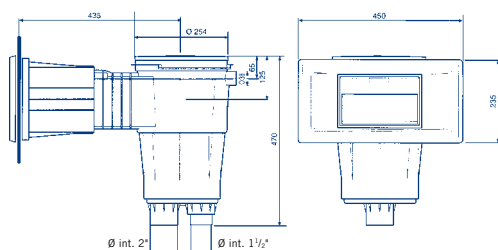
	Code	Standard Packaging	Standard Weight kg	Standard Volume m³
Round lid	05285	1	5.90	0.077
Square lid	11310	1	5.90	0.077
Square lid, PARKER model	11316	1	5.90	0.077



Skimmer with wide mouth

Supplied with adhesive gaskets and flanges.

	Code	Standard Packaging	Standard Weight kg	Standard Volume m³
Round lid	05286	1	6.50	0.135
Square lid	11311	1	6.52	0.135
Square lid, PARKER model	11317	1	6.52	0.135



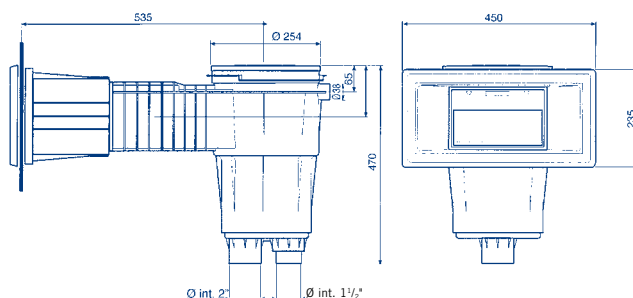
LINER AND PREFABRICATED POOL - SKIMMERS 17.5 L



Skimmer with wide mouth and extended throat

Supplied with adhesive gaskets, flanges, and screw kit.

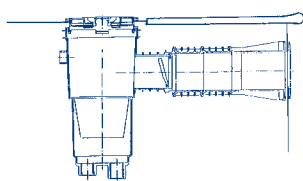
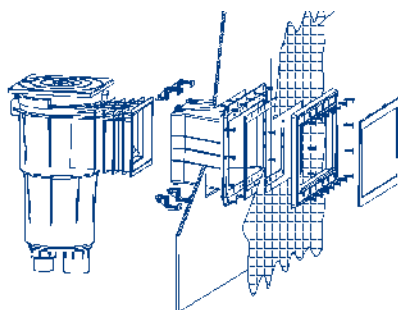
	Code	Standard Packaging	Standard Weight kg	Standard Volume m ³
Round lid	07830	1	7.08	0.161
Square lid	11313	1	7.00	0.161
Square lid, PARKER model	11314	1	7.00	0.161



Skimmer Panel Protect inside assembly

Skimmers for panelled pools. The wide mouth is to be fixed in the inside of the panel. Each skimmer box includes the necessary glue.

	Code	Standard Packaging	Standard Weight kg	Standard Volume m ³
Skimmer Panel Protect 17.5 l wide mouth, round lid	32373	1	6.20	0.137
Skimmer Panel Protect 17.5 l wide mouth, square lid	30867	1	6.20	0.116
Adhesive for ABS	30884	25	5.05	0.129



Versions of the 17.5 litre skimmer can be supplied with extensions much longer than those previously stated. This could be of particular interest when using wider coping stones than usual.

LINER AND PREFABRICATED POOL - MAIN DRAINS

All main drains made in plastic are provided with UV protected grilles.
 · According to EN 13451-1, standard, in public pools require:
 - Water flow velocity 0.5 m/sec
 - Maximum suction velocity 1.5 m/sec
 - Minimum distance between drains: >2 m

Mini drain

Side connection with 2" female thread. Made in white ABS with grille fixed to flange. Suction velocity at grille 0.5 m/sec and max. flow rate: 11 m³/h. Bottom connection with plug or to fit the hydrostatic relief valve & drainage pipe. Slots < 8 mm. M5 threaded screws and brass inserts to secure flange and grille. Can also be used in concrete spas and lateral suction inlet.

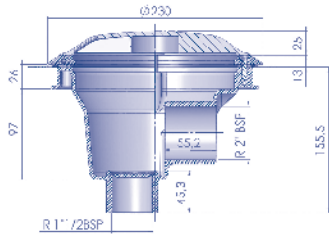
	Code	Standard Packaging	Standard Weight kg	Standard Volume m ³
Mini drain	27814	1	2.64	0.013



Circular main drain Ø 200 mm with antivortex grille

Made in ABS. Side suction connection 2" and bottom connection 1 1/2" with knockout sockets. Bottom outlet blocked with a knock out cover that can be removed as required. Drainage pipe (21581) can be fitted. Maximum flow rate: 13 m³/h.

Code	Standard Packaging	Standard Weight kg	Standard Volume m ³
27125	1	3.543	0.028



B-B Section

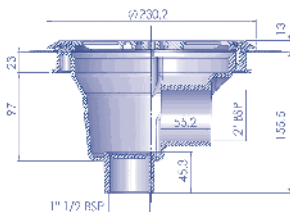


Plant view

Circular main drain Ø 200 mm with flat grille

Made in white ABS. Side connection 2" and bottom connection 1 1/2" with knockout sockets. Bottom outlet blocked with a knock out cover that can be removed as required. Drainage pipe (21581) can be fitted. Maximum flow rate: 13 m³/h.

Code	Standard Packaging	Standard Weight kg	Standard Volume m ³
27838	1	3.391	0.028



B-B Section



Plant view

LINER AND PREFABRICATED POOL - MAIN DRAINS



Drain Ø 290 mm for Liner. PARKER model



Made specially for liner pools, totally in white ABS, with self adhesive synthetic gaskets and S.S. screws. 2" side connections which can be plugged for pressure testing. 1½" bottom connection with plug for fitting the hydrostatic relief valve (00277) and drainage pipe (21581). Suction velocity 0.5 m/sec. Recommended max. flow rate: 13 m³/h. Installed flush with floor bottom for total drainage.

	Code	Standard Packaging	Standard Weight kg	Standard Volume m³
	00270	4	5.71	0.044
Parker model (with self tapping screws)	07880	4	5.71	0.044



Drain Ø 210 mm with ABS grille



Side connection 2". Body and grille in white ABS, with self-adhesive gaskets, flange, and screws. Maximum flow rate: 13 m³/h.

	Code	Standard Packaging	Standard Weight kg	Standard Volume m³
	00271	4	4.0	0.028

Optional colour

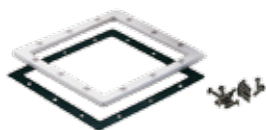


Square drain 210 mm x 210 mm with ABS grille



Side connection 2". Body and grille in white ABS, with self-adhesive gaskets, flange, and screws. Maximum flow rate: 13 m³/h.

	Code	Standard Packaging	Standard Weight kg	Standard Volume m³
	00273	4	5.5	0.043



Drain with S.S. grille



Outlet with Ø 50 mm inside diameter and 63 mm outside diameter. Body in white ABS with Stainless Steel grille. With self-adhesive gaskets, flange, and screws. Maximum flow rate: 7 m³/h.

	Code	Standard Packaging	Standard Weight kg	Standard Volume m³
	00274	4	4.0	0.023



Circular drain 2" in AISI-316 S.S.



Lateral inlet 2" in AISI 316 S.S., grille fixed with screws. Includes gaskets, flange, and fixing screws. Maximum recommended flow rate: 13 m³/h.

	Code	Standard Packaging	Standard Weight kg	Standard Volume m³
Side connection 2"	00275	1	2.27	0.02
Side connection 2", bottom connection 1½"	26197	1	4.23	0.04

LINER AND PREFABRICATED POOL - MAIN DRAINS



Adaptor kit for drain

For drain 00269. Includes: gaskets, flange and screws. Frame in S.S. AISI-316.

Code	Standard Packaging	Standard Weight kg	Standard Volume m ³
00276	40	9.7	0.01



Drain in polyester and fibreglass 355 mm x 355 mm

Gel-coat finish. With gaskets, flange, and screws. Slots < 8 mm. Outlet connections for glueing. With optional hydrostatic valve.

Grille in S.S. AISI-316

Solvent socket **Grille** **Flow**
outlet connection

Code	Standard Packaging	Standard Weight kg	Standard Volume m ³
20074	1	6.5	0.047
20075	1	6.5	0.047
20290	1	6.5	0.047

Recommended max. flow 33.5 m³/h (0.5 m/s)

Recommended flow 20 m³/h (0.3 m/s)



ABS grille UV protected

Solvent socket **Grille** **Flow**
outlet connection

22416	1	6.5	0.047
22417	1	6.5	0.047
22418	1	6.5	0.047
22419	1	6.5	0.047

Recommended max. flow 45 m³/h (0.5 m/s)

Recommended flow 27 m³/h (0.3 m/s)



Drain in polyester and fibreglass 515 mm x 515 mm

Gel-coat finish. With gaskets, flange, and screws. Slots < 8 mm. Outlet connections for glueing. Recommended flow 62 m³/h (0.3 m/s). Recommended max. flow 103 m³/h (0.5 m/s). With optional hydrostatic valve.

Code	Standard Packaging	Standard Weight kg	Standard Volume m ³
------	--------------------	--------------------	--------------------------------

Grille in S.S. AISI-316

Solvent socket **Grille** **Flow**
outlet connection

20076	1	1.4	0.132
20077	1	1.4	0.132
20078	1	1.4	0.132
20079	1	1.4	0.132
20291	1	1.4	0.132

ABS grille UV protected

Solvent socket **Grille** **Flow**
outlet connection

28722	1	1.4	0.132
28723	1	1.4	0.132
28724	1	1.4	0.132
28725	1	1.4	0.132
28726	1	1.4	0.132



LINER AND PREFABRICATED POOL - MAIN DRAIN ACCESSORIES



Hydrostatic valve



To alleviate pressure which underground water can cause to the pool shell. We recommend fitting a hydrostatic valve & drainage tube to the main drain.

The **hydrostatic valve** screwed to the bottom of the main drain 2" outlet. Made in white ABS with screw & spring in S.S. Male thread 1½".

Code	Standard Packaging	Standard Weight kg	Standard Volume m³
00277	4	1.0	0.003



Drainage tube



Threaded connection 1½" BSP for main drains 00270, 07880, 27838, 26197 and 27125. Made in ABS.

Code	Standard Packaging	Standard Weight kg	Standard Volume m³
21581	24	3.54	0.021



Flush antivortex lid



New flush design to allow unobstructed operation of cleaners. Complies with EN 13451-1: 2000 Standard.

415 mm x 415 mm lid suitable with the following drains:

- | | |
|--------------------------|-----------------------------|
| With S.S. grille: | With plastic grille: |
| - 20074 | - 22416 |
| - 20075 | - 22417 |
| - 20290 | - 22418 |
| | - 22419 |

570 mm x 570 mm lid suitable with the following drains:

- | | |
|--------------------------|-----------------------------|
| With S.S. grille: | With plastic grille: |
| - 20076 | - 28722 |
| - 20077 | - 28723 |
| - 20078 | - 28724 |
| - 20079 | - 28725 |



Code	Standard Packaging	Standard Weight kg	Standard Volume m³
25344	1	2.25	0.012
28556	1	3.90	0.015

415 mm x 415 mm. Height: 70 mm

570 mm x 570 mm. Height: 60 mm

LINER AND PREFABRICATED POOL - WATER LEVEL REGULATORS

Water level regulator



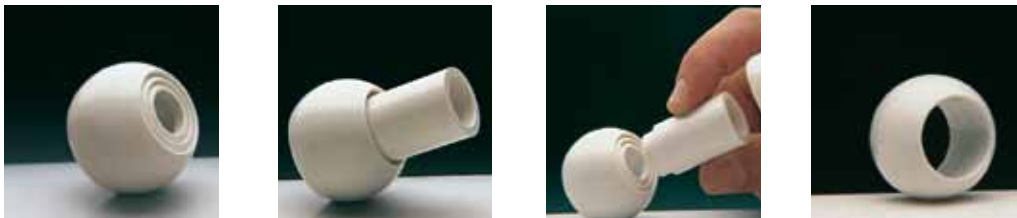
Made in ABS. With lateral or bottom connection, as required. Knockout outlets. Height and level adjustable cover. Compatible with any type of skimmer.

Code	Standard Packaging	Standard Weight kg	Standard Volume m³
15862	1	2.0	0.016

LINER AND PREFABRICATED POOL - ABS INLETS

MULTIFLOW SYSTEM

The eyeball has been marked with a series of “knock-outs” sockets of 14 mm, 20 mm, and 25 mm, enabling the required flow to be selected at the time of installation by using the frin-punch fitting supplied. Recommended max flow velocity 4 m/sec, complies with EN 13451-1 Standard
 Ø 14 mm = 2.2 m³/h, Ø 20 mm = 4.5 m³/h, Ø 25 mm = 7 m³/h



Liner return inlet “Multiflow” threaded

Male thread of 2”, Ø 50 mm solvent interior. For liner pools, white ABS plastic with gaskets and screws. Installation with wall conduits 15662 or 15663 is recommended.

Code	Standard Packaging	Standard Weight kg	Standard Volume m³
00330	12	4.5	0.020



Liner return inlet “Multiflow” threaded, Parker model

Male thread of 2”, Ø 50 mm inside diameter. For liner pools, white ABS plastic with gaskets and self-tapping screws. Installation with wall conduits 15664 or 15665 is recommended.

Code	Standard Packaging	Standard Weight kg	Standard Volume m³
06498	20	4.72	0.021



Optional colour

Return inlet for prefabricated pools with liner

These inlets have a smaller exterior diameter than previous models in order to achieve superior adaptation in pools with curved walls.

	Code	Standard Packaging	Standard Weight kg	Standard Volume m³
Return inlet 1½” BSP thread	32450	24	7.1	0.021
Return inlet Ø 50 mm solvent weld	32451	24	6.9	0.021



Panel return “Multiflow” inlet threaded, for prefabricated pools

2” male thread and inside solvent weld Ø 50 mm. Made in white ABS.

Code	Standard Packaging	Standard Weight kg	Standard Volume m³
00334	24	4.61	0.020



LINER AND PREFABRICATED POOL - ABS INLETS



Threaded return inlet "Multiflow" for prefabricated pools



2" male thread, and 1 1/2" female thread. In white ABS, with gaskets. Holes in grilles are not bigger than 8 mm, according to EN 13451-1.

Code	Standard Packaging	Standard Weight kg	Standard Volume m ³
06481	30	5.1	0.021



Return inlet "Multiflow" for panelled pools



New inlets especially designed to be installed in panelled pools between 10 and 15 cm thick. To glue to Ø 50 mm pipe. Made in white ABS, with gaskets.

Code	Standard Packaging	Standard Weight kg	Standard Volume m ³
33091	8	3.35	0.021



Adjustable return inlet



With gaskets, flanges and screws. 3 adjustable positions: (100%, 65%, 35%). Flow rate: 13.5 m³/h. Outer connection Ø 63 mm.

Code	Standard Packaging	Standard Weight kg	Standard Volume m ³
15864	12	4.2	0.02



Floor return inlet for prefabricated pool



For water return. With gaskets, flanges and screws. Adjustable flow. Max. flow rate: 12 m³/h.

Code	Standard Packaging	Standard Weight kg	Standard Volume m ³
00340	12	5.4	0.020
20139	12	5.4	0.021

2" male thread and inside Ø 50 mm
Outside Ø 63 mm PN 6, inside Ø 50 mm



Adjustable BCN 03 nozzle for liner pools

new



Adjustable floor inlet nozzle for swimming pools with liner. The parts affected by the glue are made of PVC, the flange and the face ring of ABS and the internal components of ABS and POM. The nozzle is installed after concreting bottom and after cutting the wall conduit. The nozzle can be adjusted up to 4°, to align them completely with the background. The nozzle ball and the wall conduit simplifies a lot the installation task. It is recommended to install the nozzle in the wall conduit (43590).

Code	Standard Packaging	Standard Weight kg	Standard Volume m ³
43586	12	2.04	0.033
43587	12	2.04	0.033
43588	12	2.04	0.033
43589	12	2.04	0.033

Metal inserts, ABS flange
Self-tappers, ABS flange
Metal inserts, Inox flange
Self-tappers, Inox flange

LINER AND PREFABRICATED POOL - ABS INLETS



Wall conduit Ø 90 mm

new

PVC plastic wall conduit. Cutting area of 120 mm to adjust it to the wall or to the background of the pool. Ø63 or Ø75 connection as preferences

	Code	Standard Packaging	Standard Weight kg	Standard Volume m ³
Wall conduit Ø 90 / Ø63-Ø75 mm	43590	9	7.3	0.033

For nozzles:
 Net'N'Clean: 43584 - 43585
 BCN 03: 43586 - 43587 - 43588 - 43589
 Inlet/suction nozzle for large flows: 41518 - 41519 - 41520 - 41521



3" adjustable floor inlet

Made in white ABS. With gaskets, flanges and screws. Adjustable flow by rotating the grille. Suction area: 0.015 m². Flow rate at 0.4 m/s: 20 m³/h. Max. recommended flow rate: 26 m³/h (0.5 m/s).

	Code	Standard Packaging	Standard Weight kg	Standard Volume m ³
Grille in S.S. AISI-304	08316	2	2.65	0.047
Grille in white ABS	11795	2	2.65	0.047



Floor inlet BCN03

Adjustable liner floor inlet. For glueing into PN6 and PN10 pipe. In white ABS, with self tapping screws or with metal inserts. With flange in plastic or S.S., depending on the model. Maximum flow rate 9.5 m³/h.

	Code	Standard Packaging	Standard Weight kg	Standard Volume m ³
Plastic flange with self-tappers PN6	28230	12	3.25	0.031
Plastic flange with metal inserts PN6	28231	12	3.55	0.031
S.S. flange with self-tappers PN10	28501	12	4.24	0.031
S.S. flange with metal inserts PN10	28502	12	4.54	0.031



Suction nozzle for liner pool

2" male thread, Ø 50 mm inside diameter. Made in white ABS, with cap, gaskets and screws. Recommended to be installed with wall conduit 15663.

	Code	Standard Packaging	Standard Weight kg	Standard Volume m ³
	00332	12	4.22	0.020



Suction nozzle for panelled pools

Especially designed to be installed in panelled pools between 10 and 15 cm thick. With gaskets. Connections: Inside Ø 50 mm pipe and 1 1/2" BSP male thread.

	Code	Standard Packaging	Standard Weight kg	Standard Volume m ³
	33092	8	3.35	0.021



LINER AND PREFABRICATED POOL - ABS INLETS



Suction inlet for liner pools



Made in white ABS. With gaskets, flanges and screws. Connections: 2" male thread, Ø 50 mm inside diameter.

Code	Standard Packaging	Standard Weight kg	Standard Volume m ³
17382	20	6.0	0.020

Suction inlet for prefabricated pool



2" male thread, Ø 50 mm inside diameter. Made in white ABS, with cap thread 1½".

Code	Standard Packaging	Standard Weight kg	Standard Volume m ³
00336	24	4.13	0.020

Double joint kit

new



Kits comprising a double joint and the screws necessary for the installation of nozzles in steel panel pools. Made of TPE, the kit enables the installation of various accessories in pool basins and protects the panelling from coming into contact with water. Easy to install. Prevents corrosion of the panelling in the moulded area.

For inlets, inserts

Code	Standard Packaging	Standard Weight kg	Standard Volume m ³
43455-0500	80	-	0.035



Inlet/suction nozzle for large flows

new



Inlet nozzles for large flows and they can be used as suction nozzle also. Inlet flow rate 30m³/h for a maximum water flow velocity of 4m/s according to EN 13451-1 standard. Suction flow rate 5m³/h for a maximum water flow velocity of 0.5 m/s according to EN 13451-1 standard. PVC body. Ø75 or Ø90 pipe connection. The nozzle can be installed in the wall conduit 43590. 3 models available for concrete pools, prefabricated pools and panel pools. Grilles can be oriented in any direction.

For panel pools
For prefabricated pools

Code	Standard Packaging	Standard Weight kg	Standard Volume m ³
41518	10	5.50	0.021
41521	12	4.20	0.021

Suction inlet for prefabricated pool



2" male thread, 1½" female thread. Made in white ABS.

Code	Standard Packaging	Standard Weight kg	Standard Volume m ³
06484	30	4.3	0.021

LINER AND PREFABRICATED POOL - ABS INLETS
Hydromassage kit

Made of a return inlet and wall conduit fitted with an air inlet and a venturi. Two wall conduit lengths available. Ø 50 mm water connection pipe and Ø 20 mm air suction pipe.

	Code	Standard Packaging	Standard Weight kg	Standard Volume m ³
Hydromassage kit for fibreglass pools:				
Length of wall conduit 190 mm	32114	12	3.5	0.021
Length of wall conduit 275 mm	32384	10	3.4	0.021
Hydromassage kit for prefabricated pools with liner:				
Length of wall conduit 190 mm	32115	12	3.5	0.021
Length of wall conduit 275 mm	32385	8	3.5	0.021


LINER AND PREFABRICATED POOL - S.S. INLETS
Return inlet for liner pool

1½" male thread. Made of S.S. AISI-316. Ø 20 mm eyeball. With gaskets and screws. Recommended flow rate: 4.5 m³/h.

Code	Standard Packaging	Standard Weight kg	Standard Volume m ³
16327	1	0.5	0.001


Pool wall conduit adapter

1½" male thread. Made in S.S. AISI-316. To convert a concrete pool conduit into a prefabricated one. To be used with S.S. inlet 16331.

Code	Standard Packaging	Standard Weight kg	Standard Volume m ³
26171	1	0.2	0.001


Return inlet for liner pool

Made in S.S. AISI-316. Can be used with wall conduits 00344, 00345 and panel adapter 26171. Supplied with gaskets and screws. Ø 20 mm eyeball blocked with screws. Recommended flow rate: 4.5 m³/h.

Code	Standard Packaging	Standard Weight kg	Standard Volume m ³
16331	1	0.3	0.001



LINER AND PREFABRICATED POOL - S.S. INLETS



Adjustable pool floor return inlet



2" male thread. Made in S.S. AISI-316. Can be installed both in concrete as well as prefabricated pools. Water flow may be adjusted with the central screw. Max. recommended flow rate: 14 m³/h, complies with EN 13451-1 Standard.

Code	Standard Packaging	Standard Weight kg	Standard Volume m ³
15839	1	0.9	0.002

Suction nozzle for liner pool



Made in S.S. AISI-316, with gaskets, flange and screws. With 1 1/2" BSP male thread.

Code	Standard Packaging	Standard Weight kg	Standard Volume m ³
16330	1	0.5	0.001

LINER AND PREFABRICATED POOL - WALL CONDUITS

New range of 300 mm long conduits for Ø 2" inlets and "Multiflow" that can be easily cut to different lengths depending on pool wall thickness. Made in ABS. The flange rib has 2 holes for positioning inside the pool shell. The front face of the conduit is recessed which means the inlet body is installed flush with the wall leaving the liner flat and only the inlet face plate visible.

Rear 2" male thread and Ø 50 mm inside solvent socket



2" front female thread return for 2" male thread

Code	Standard Packaging	Standard Weight kg	Standard Volume m ³
15663	12	4.0	0.040

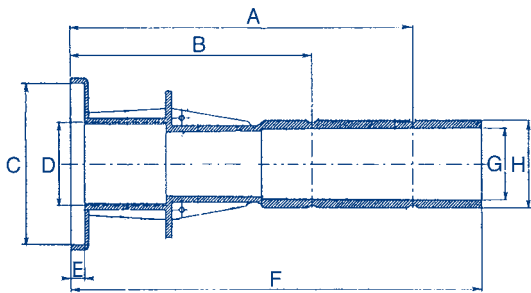
2" front female thread exclusively for inlet 06498

15664	14	4.2	0.040
-------	----	-----	-------

LINER AND PREFABRICATED POOL - WALL CONDUITS

Rear outside Ø 63 mm and inside Ø 50 mm to glue

	Code	Standard Packaging	Standard Weight kg	Standard Volume m ³
2" front female thread return for 2" male threading	15662	12	5.0	0.040
2" front female thread exclusively for inlet 06498	15665	14	5.4	0.040



Dimensions	Models			
	15663	15664	15662	15665
A	250	250	250	250
B	175	175	175	175
C	Ø118.5	Ø84	Ø118.5	Ø84
D	2"	2"	2"	2"
E	10	24	10	24
F	300	300	300	300
G	Ø50	Ø50	Ø50	Ø50
H	2"	2"	Ø63	Ø63

PVC wall conduits

PVC grey colour.

150 mm length:

2" male thread + inside Ø 50 mm.
2" female thread

Code	Standard Packaging	Standard Weight kg	Standard Volume m ³
00322	12	3.0	0.011

300 mm length:

Connection 2" female and male thread

00323	6	3.0	0.011
--------------	---	-----	-------

2" male thread rear connection and inside connection for 33684 "MINI" light

00324	6	3.0	0.011
--------------	---	-----	-------

2" male thread + inside Ø 50 mm + female thread 1½"

00325	6	3.0	0.011
--------------	---	-----	-------

2" male thread + inside Ø 50 mm.

Inside Ø 50 mm special for 00289, 07957, 00304, 00305 and 00306 inlets.

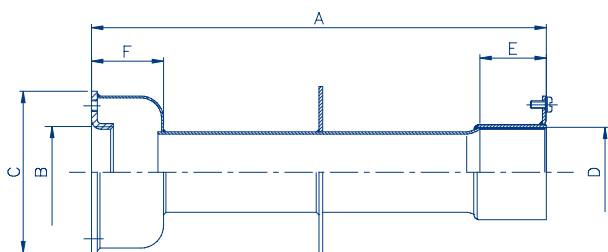
00326	6	3.0	0.011
--------------	---	-----	-------



Stainless Steel wall conduits

Made in S.S. AISI-304. Both ends with 1½" female threads. Earth connection. For inlet 16331.

	Code	Standard Packaging	Standard Weight kg	Standard Volume m ³
Length 240 mm	00344	1	0.7	0.003
Length 340 mm	00345	1	0.9	0.005



Dimensions	Models	
	00344	00345
A	240	340
B	1½"	1½"
C	85	85
D	1½"	1½"
E	35	35
F	38	38



